

# SPARE PARTS EXPLODED VIEW INSTANTANEOUS GAS WATER HEATERS

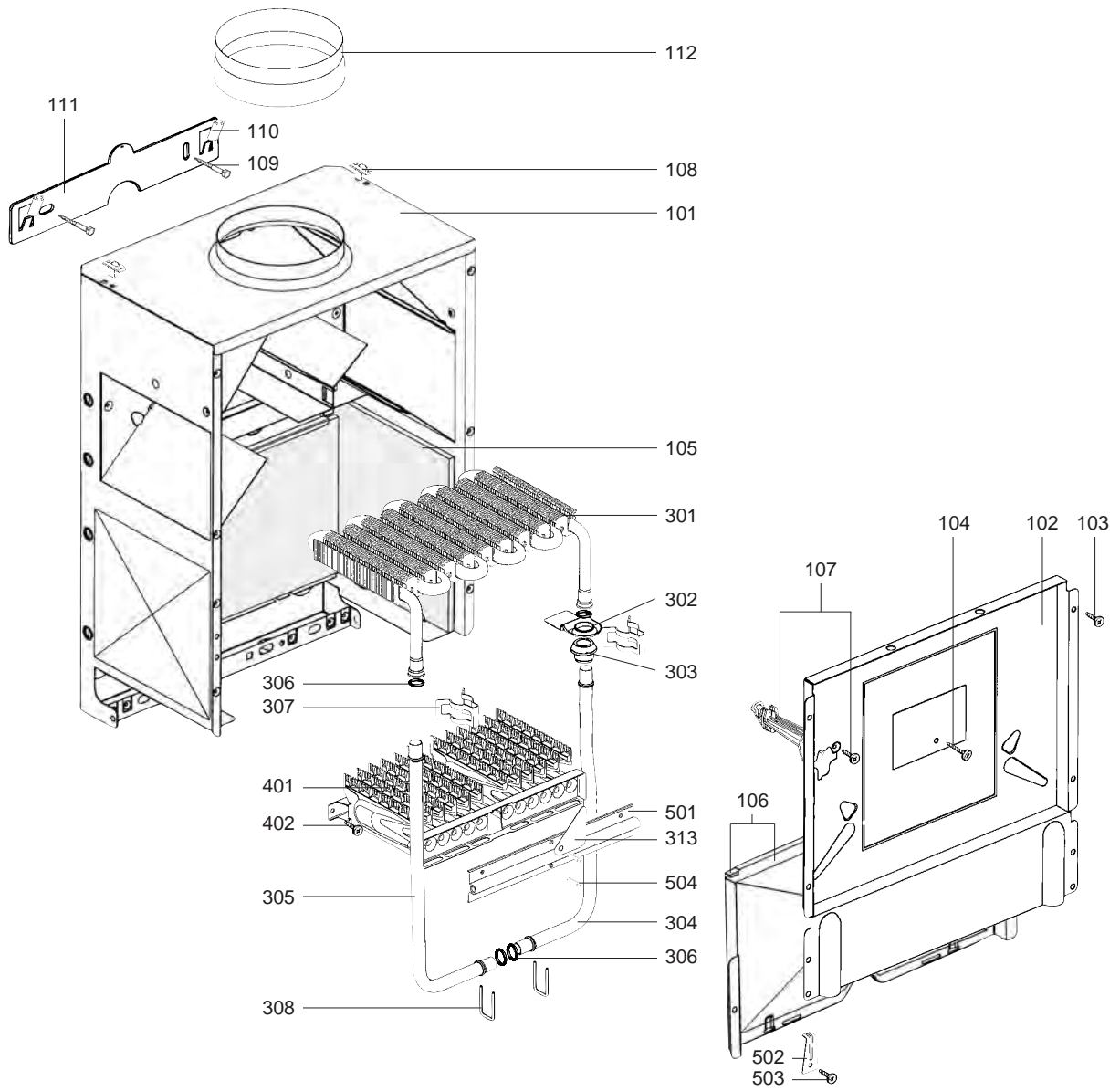
Model

## **GIWH 10 -13 - 16 P**

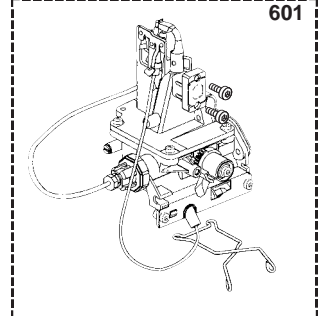
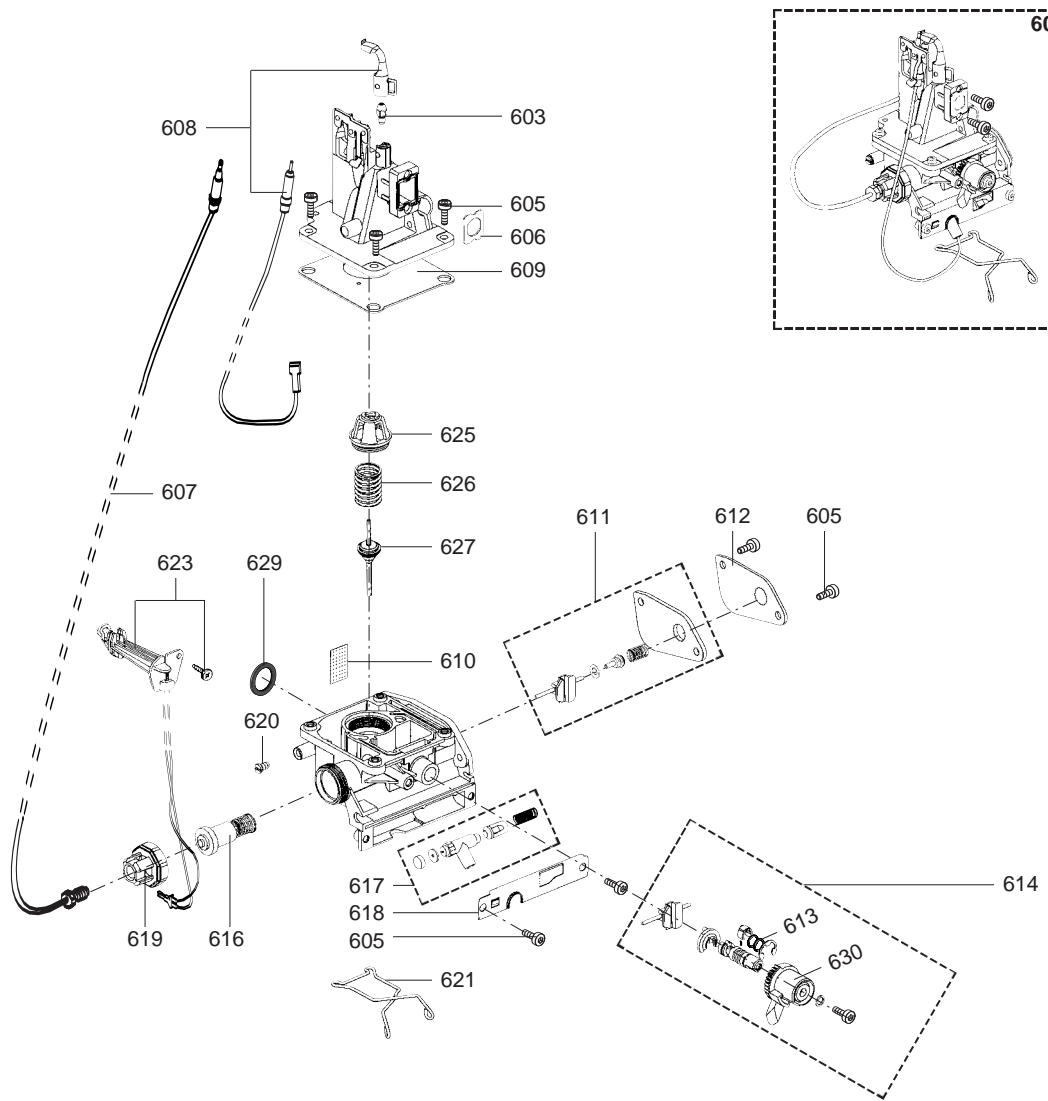
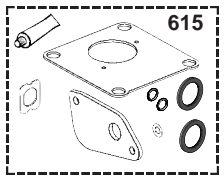
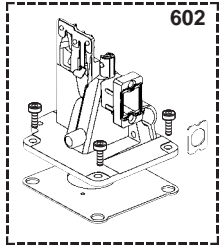
R8202602-04EN - Edition 04 - 02/06/2005



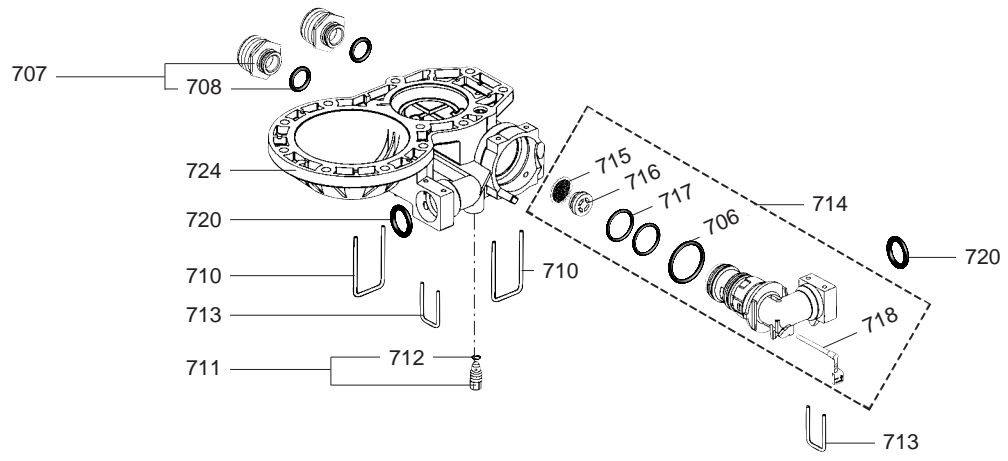
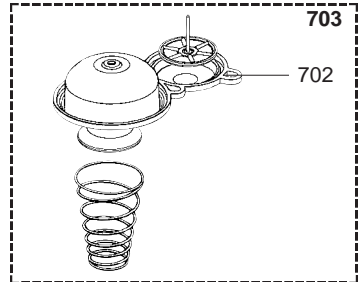
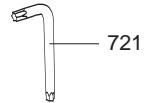
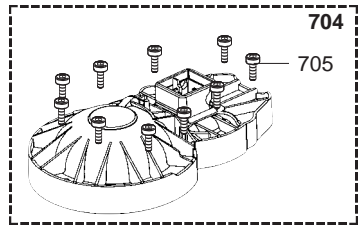
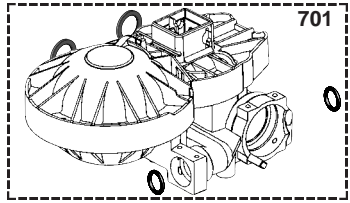
111002615051	01	GIWH 10 P A SMI GZ50	07/02	04/03
535916	01	GIWH 10 P A SMI GZ50	05/03	...
111002616051	01	GIWH 13 P A SMI GZ50	07/02	04/03
535917	01	GIWH 13 P A SMI GZ50	05/03	...
111002617051	01	GIWH 16 P A SMI GZ50	09/02	04/03
535918	01	GIWH 16 P A SMI GZ50	05/03	...
Reference	Ind.	Model type	Begin	End



Key N°	Description	Manf. Pt. N°	Other	Type	10 / 13 / 16			Manf. date	
					GIWH P	GIWH P	GIWH P	from	to
					CF	CF	CF		
<b>0100</b>	<b>CHASSIS</b>								
0101	CHASSIS ASSY	61016878							
	CHASSIS ASSY	61306401							
	CHASSIS ASSY	61306402							
0102	FRONT PANEL - DRAUGHT DIVERTER	61016265							
	FRONT PANEL - DRAUGHT DIVERTER	61016266							
	FRONT PANEL - DRAUGHT DIVERTER	61016267							
0103	TAPPING SCREW CBLX D: 4.2-9.5	61010125							
0104	TAPPING SCREW CBLZ D: 4.2-22	60072416							
0105	COMBUSTION CHAMBER LINING KIT	60081074							
	COMBUSTION CHAMBER LINING KIT	60081075							
	COMBUSTION CHAMBER LINING KIT	60081076							
0106	COMBUSTION CHAMBER KIT	60081077							
	COMBUSTION CHAMBER KIT	60081078							
	COMBUSTION CHAMBER KIT	60081079							
0107	OVERHEAT THERMOSTAT 115°C	60081880							
0108	SPACER	61016705							
0109	WOOD SCREW	60025617-03							
0110	WATER TIGHTNESS SLEEVE	61007223							
0111	HOOKING BRACKET	61007192							
0112	FLUE SPIGOT	61012134							
<b>0300</b>	<b>HEATING BODY</b>								
0301	HEAT EXCHANGER	60058181-06							
	HEAT EXCHANGER	60058679-06							
	HEAT EXCHANGER	60061393-06							
0302	EVAPORATOR	61001675							
0303	EVAPORATION GASKET	61001676							
0304	COLD WATER TUBE	61016274							
	COLD WATER TUBE	61016276							
	COLD WATER TUBE	61016278							
0305	HOT WATER TUBE	61016275							
	HOT WATER TUBE	61016277							
	HOT WATER TUBE	61016279							
0306	"O" RING D: 12.3-2.4	60024164-47							
0307	CLIP	61001674							
0308	PIN	61016207							
0313	BEARING PLATE	61305109							
<b>0400</b>	<b>BURNER HEAD</b>								
0401	BURNER HEAD	61016595							
	BURNER HEAD	61016596							
	BURNER HEAD	61016597							
0402	TAPPING SCREW CBLX D: 4.2-9.5	61010125							
<b>0500</b>	<b>MANIFOLD</b>								
0501	MANIFOLD 12 INJ. NAT	60067379		GZ50					
	MANIFOLD 14 INJ. NAT	60067424		GZ50					
	MANIFOLD 18 INJ. NAT	60067449		GZ50					
0502	SUPPORT BRACKET	60061539							
0503	TAPPING SCREW CBLX D: 4.2-25	61010128							
0504	SCREW CLXS M 5-14	61016600							



Key N°	Description	Manf. Pt. N°	Other	Type	10 / 13 / 16			Manf. date	
					GIWH P	GIWH P	GIWH P	from	to
					CF	CF	CF		
<b>0600</b>	<b>GAS SECTION</b>								
0601	GAS SECTION NAT ASSY	61016734		GZ50	●				
	GAS SECTION NAT ASSY	61016735		GZ50		●			
	GAS SECTION NAT ASSY	61016736		GZ50			●		
0602	BURNER BASE KIT	60081872			●	●	●		
0603	PILOT INJECTOR D: 0.4	61016257		GZ50	●	●	●		
0605	SCREW CLXS M 5-14	61016600			●	●	●		
0606	GASKET (/Manifold)	61016260			●	●	●		
0607	THERMOCOUPLE	61016616			●	●	●		
0608	ELECTRODE & LEAD ASSY	60081922			●	●	●		
0609	GASKET (/Base)	61016247			●	●	●		
0610	FILTER	61016246			●	●	●		
0611	SECONDARY GAS VALVE NAT	60081885		GZ50	●	●	●		
0612	GAS SECTION COVER	61016235			●	●	●		
0613	"O" RING D: 6.4-1.9	60021061-45			●	●	●		
0614	CAM KIT	60081874			●	●	●		
0615	GAS SECTION GASKETS KIT	60081875			●	●	●		
0616	THERMOELECTRIC VALVE	60034346			●	●	●		
0617	IGNITER ASSY	60081094			●	●	●		
0618	PIEZO MECHANISM COVER	61016245			●	●	●		
0619	NUT M 27-1	61016491			●	●	●		
0620	PRESSURE TEST POINT SCREW	61016378			●	●	●		
0621	CLIP	61016299			●	●	●		
0623	OVERHEAT THERMOSTAT 115°C	60081880			●	●	●		
0625	SPRING SEAT	61016233			●	●	●		
0626	SPRING 12.8 x 1.6 L: 24.63	61020272			●	●	●		
0627	MAIN GAS VALVE ASSY	61016225		GZ50	●				
	MAIN GAS VALVE ASSY	61016227		GZ50		●			
	MAIN GAS VALVE ASSY	61016229		GZ50			●		
0629	SHEET GASKET D: 23.8-14.4-1.5	60061855-18			●	●	●		
0630	CAM	61016241			●	●	●		

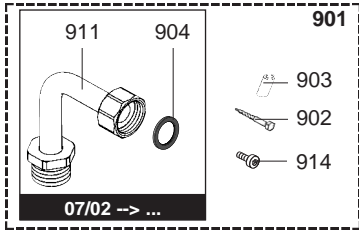


10 / 13 / 16

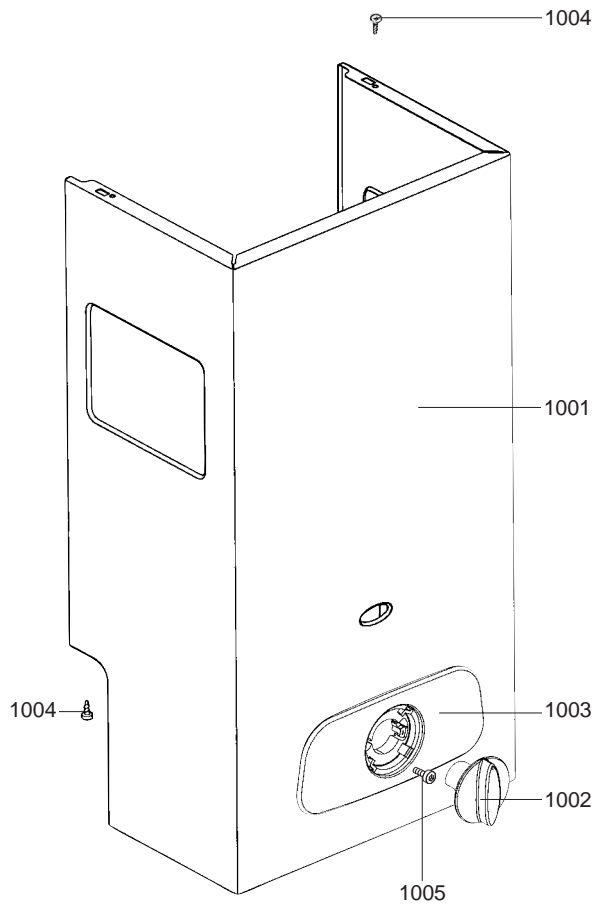
Key N°	Description	Manf. Pt. N°	Other	Type	GIWH P			Manf. date	
					10	13	16	from	to
					CF	CF	CF		
<b>0700</b>	<b>WATER SECTION ASSY</b>								
0701	WATER SECTION SMI HP ASSY	60081963			●	●	●		
0702	DIAPHRAGM	61020009			●	●	●		
0703	WATER SECTION REPAIR KIT	60081911			●	●	●		
0704	COVER	60081879			●	●	●		
0705	SCREW CLX M 4-16	61017289			●	●	●		
0706	"O" RING D: 26.2-3.6	60021061-39			●	●	●		
0707	CONNECTION M 3/4	60081923			●	●	●		
0708	"O" RING D: 12.1-2.7	60024164-16			●	●	●		
0709	WATER SECTION GASKETS KIT	60081912			●	●	●		
0710	PIN	61016206-02			●	●	●		
0711	DRAIN SCREW ASSY	60081028			●	●	●		
0712	"O" RING D: 3.4-1.9	60024164-05			●	●	●		
0713	PIN	61016207			●	●	●		
0714	WATER CONTROL ASSY	61020649			●				
	WATER CONTROL ASSY	61020651				●			
	WATER CONTROL ASSY	61020652					●		
0715	WATER FILTER	61018981			●	●	●		
0716	FLOW REGUL. 6.7L/MN (GREEN)	61017288-07			●				
	FLOW REGULATORE 8L/MN (RED)	61017288-08				●			
	FLOW REGULATORE 12L/MN (BROWN)	61017288-12					●		
0717	"O" RING D: 20.1-1.6	60024164-58			●	●	●		
0718	YELLOW TEMPERATURE CORRECTOR	61301490			●	●	●		
0720	"O" RING D: 12.3-2.4	60024164-47			●	●	●		
0721	KEY T10	61015949			●	●	●		
0724	BOTTOM PART-WATER SECTION SMI	61016719			●	●	●		

GIWH 10 - 13 16 P

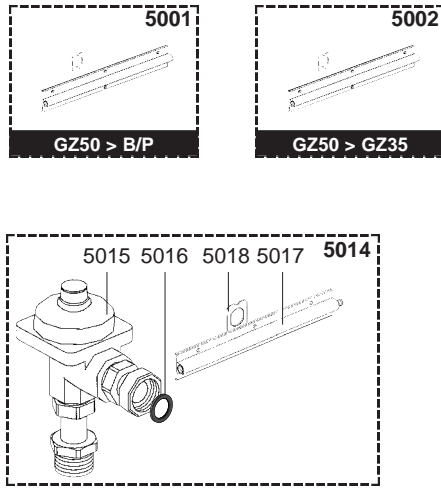
Instantaneous Gas Water Heaters



1000



5000





10 / 13 / 16

Key N°	Description	Manf. Pt. N°	Other	Type	GIWH P			Manf. date	
					CF	CF	CF	from	to
<b>0900</b>	<b>JIG PLATE &amp; PIPE FITTING</b>								
0901	CONNECTION KIT	61309487			●	●	●		06/02
	CONNECTION KIT	61310410			●	●	●	07/02	
0902	WOOD SCREW	60025617-03			●	●	●		
0903	WATER TIGHTNESS SLEEVE	61007223			●	●	●		
0904	SHEET GASKET D: 23.8-14.4-1.5	60061855-18			●	●	●		
0911	GAS TUBE	61305608			●	●	●		
0914	SCREW CLXS M 5-14	61016600			●	●	●		
<b>1000</b>	<b>FRONT CASE</b>								
1001	FRONT CASE	61016281			●				
	FRONT CASE	61016282				●			
	FRONT CASE	61016283					●		
1002	GAS CONTROL KNOB	61016290			●	●	●		
1003	FACIA	61309484			●	●	●		
1004	TAPPING SCREW CBLX D: 4.2-9.5	61010125			●	●	●		
1005	SCREW CLXS M 5-14	61016600			●	●	●		
<b>5000</b>	<b>ACCESSORIES</b>								
5001	CONVERSION KIT > BUT/PROP	61310379			●				
	CONVERSION KIT > BUT/PROP	61310380				●			
	CONVERSION KIT GZ50 > BUT/PROP	61310381					●		
5002	CONVERSION KIT GZ50 > GZ35	61309520			●				
	CONVERSION KIT GZ50 > GZ35	61309521				●			
5014	GAS GOVERNOR KIT	61305658			●				
	GAS GOVERNOR KIT	61305659				●			
5015	GAS GOVERNOR	60078982-20			●				
	GAS GOVERNOR	60078982-30				●			
5016	SHEET GASKET D: 23.8-14.4-1.5	60061855-18			●	●			
5017	MANIFOLD 12 INJ.	60067367			●				
	MANIFOLD 14 INJ.	60067425				●			
5018	GASKET (/Manifold)	61016260			●	●			



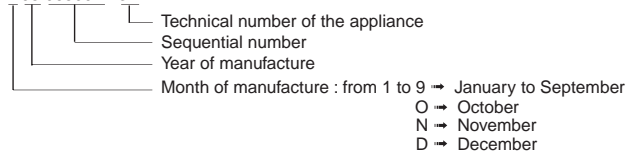
## LIST OF THE ABBREVIATIONS

HW .....	: Hot water.
CW .....	: Cold water.
C .....	: Ceramic resistance (normal heating).
Ca .....	: Ceramic resistance (accelerated heating)
TP .....	: Immersion heater.
1F .....	: With fittings.
2F .....	: Without fittings.
3F .....	: With fittings and another outlet connection.
AMI .....	: With mixing valve.
SMI .....	: Without mixing valve.
PUISS .....	: Power of th appliance.
PN .....	: Appliance with normal pression.
LP .....	: Appliance with low pression.
PV .....	: Appliance with variable power.
PF .....	: Appliance with fixed power..

## IDENTIFICATION PLATE

### SERIAL NUMBER

Ex: 1 95 065004 - 31



The indications mentioned on the prices, commercial or technical literature and the scheme are written for your guidance and are available at a given time. The CONSTRUCTOR retains the power to modify the presentation, the form, the size, the conception or the material of the products.

